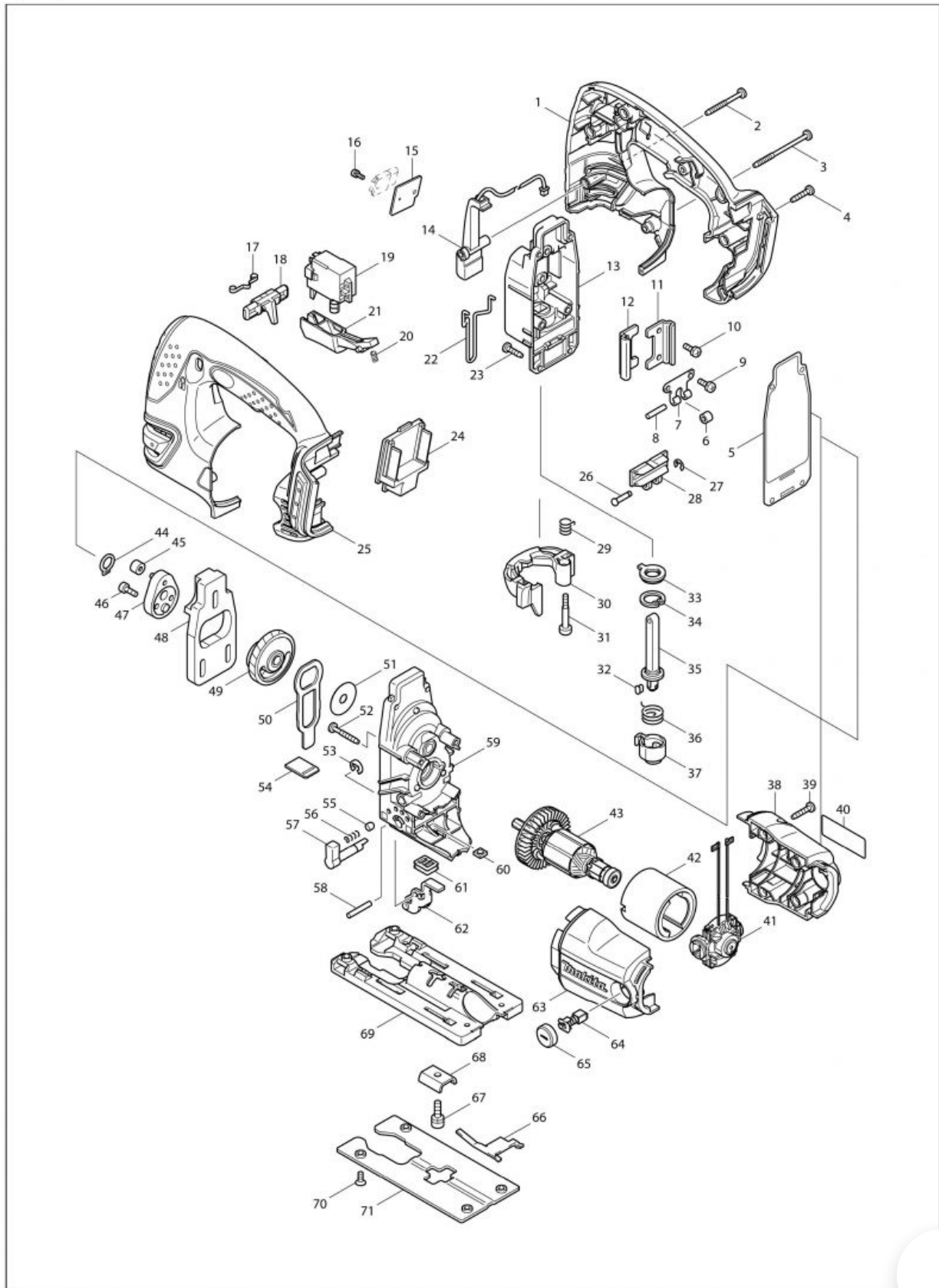


Part Diagram

(MY) DJV180 / CORDLESS JIG SAW



| Item | Sub | Parts No. | Parts Description | Qty |
|--------|-----|-----------|-----------------------------|-----|
| 001 | | 187725-4 | HANDLE SET | 1 |
| | D10 | | INC. 25 | |
| 002A | | 266048-4 | TAPPING SCREW 4X40 | 1 |
| 002B | | 266048-4 | TAPPING SCREW 4X40 | 1 |
| 002C | | 266048-4 | TAPPING SCREW 4X40 | 1 |
| 002-1A | | 266560-4 | TAPPING SCREW 4X40 | 1 |
| 002-1B | | 266560-4 | TAPPING SCREW 4X40 | 1 |
| 003A | | 266091-3 | TAPPING SCREW 4X50 | 1 |
| 003B | | 266091-3 | TAPPING SCREW 4X50 | 1 |
| 003C | | 266091-3 | TAPPING SCREW 4X50 | 1 |
| 003-1A | | 265650-0 | TAPPING SCREW 4X50 | 1 |
| 003-1B | | 265650-0 | TAPPING SCREW 4X50 | 1 |
| 004A | | 265995-6 | TAPPING SCREW 4X18 | 5 |
| 004B | | 265995-6 | TAPPING SCREW 4X18 | 5 |
| 004C | | 265995-6 | TAPPING SCREW 4X18 | 5 |
| 004-1A | | 265652-6 | TAPPING SCREW 4X18 | 5 |
| 004-1B | | 265652-6 | TAPPING SCREW 4X18 | 5 |
| 005 | | 442138-9 | PACKING | 1 |
| 006 | | 214031-5 | PLANE BEARING 4 | 1 |
| 007 | | 232207-2 | LEAF SPRING | 1 |
| 008 | | 256117-9 | PIN 4 | 1 |
| 009 | | 911111-5 | PAN HEAD SCREW M4X10 WITH W | 2 |
| 010 | | 911111-5 | PAN HEAD SCREW M4X10 WITH W | 2 |
| 011 | | 345240-6 | LINEAR GUIDE | 1 |
| 012 | | 345240-6 | LINEAR GUIDE | 1 |
| 013 | | 153338-3 | GEAR HOUSING COVER COMPLETE | 1 |
| | C10 | 253313-0 | THIN WASHER 14 | 1 |
| | C20 | 257250-0 | RING 20 | 1 |
| | C30 | 421815-6 | DUST SEAL 8 | 1 |
| 014 | | 631744-7 | LIGHT CIRCUIT | 1 |
| 015 | | 689070-8 | HEAT SINK | 1 |
| 016 | | 911006-2 | PAN HEAD SCREW M3X8 | 1 |
| 017 | | 232152-1 | LEAF SPRING | 1 |
| 018 | | 419613-0 | LOCK OFF BUTTON | 1 |
| 019 | | 650650-7 | SWITCH C3LA-2A-PLSRS | 1 |
| 020 | | 233118-4 | COMPRESSION SPRING 4 | 1 |
| 021 | | 419754-2 | SWITCH LEVER | 1 |
| 022 | | 324233-6 | SAFETY WIRE | 1 |
| 023 | | 266034-5 | TAPPING SCREW CT 4X16 | 4 |
| 024 | | 644808-8 | TERMINAL | 1 |
| 025 | | 187725-4 | HANDLE SET | 1 |
| | D10 | | INC. 1 | |
| 026 | | 268090-1 | PIN 4 | 1 |
| 027 | | 961017-7 | STOP RING E-3 | 1 |
| 028 | | 310134-4 | SLIDER | 1 |
| 029 | | 231659-4 | TORSION SPRING 6 | 1 |
| 030 | | 419820-5 | TOOL OPENER | 1 |
| 031 | | 265026-1 | + PAN HEAD SCREW M4 | 1 |
| 032 | | 310135-2 | PUSH PIN | 1 |
| 033 | | 421817-2 | DUST COVER | 1 |
| 034 | | 962068-3 | RETAINING RING R-18 | 1 |
| 035 | | 165326-8 | ROD | 1 |
| 036 | | 231660-9 | TORSION SPRING 15 | 1 |
| 037 | | 310136-0 | BLADE HOLDER | 1 |
| 038 | | 188208-7 | MOTOR HOUSING SET | |
| | D10 | | INC. 63 | |
| 039A | | 265995-6 | TAPPING SCREW 4X18 | |
| 039B | | 265995-6 | TAPPING SCREW 4X18 | 4 |

| Item | Sub | Parts No. | Parts Description | Qty |
|--------|-----|-----------|--------------------------------|-----|
| 039C | | 265995-6 | TAPPING SCREW 4X18 | 4 |
| 039-1A | | 265652-6 | TAPPING SCREW 4X18 | 4 |
| 039-1B | | 265652-6 | TAPPING SCREW 4X18 | 4 |
| 040 | | 815K50-6 | DJV180 NAME PLATE | 1 |
| 041 | | 638504-8 | ENDBELL COMPLETE | 1 |
| 042 | | 638373-7 | YOKE UNIT | 1 |
| 043 | | 619206-5 | ARMATURE | 1 |
| 044 | | 961004-6 | RETAINING RING (EXT) S-8 | 1 |
| 045 | | 212092-9 | NEEDLE BEARING 407 | 1 |
| 046 | | 265353-6 | HEX. SOCKET HEAD BOLT M4X12 | 2 |
| 047 | | 153336-7 | CRANK COMPLETE | 1 |
| 048 | | 313108-4 | BALANCE PLATE | 1 |
| 049 | | 158168-7 | GEAR COMPLETE | 1 |
| 050 | | 345235-9 | PUSH PLATE | 1 |
| 051 | | 253877-4 | FLAT WASHER 8 | 1 |
| 052A | | 266050-7 | TAPPING SCREW 4X30 | 4 |
| 052B | | 266050-7 | TAPPING SCREW 4X30 | 4 |
| 052C | | 266050-7 | TAPPING SCREW 4X30 | 4 |
| 052-1A | | 265654-2 | TAPPING SCREW 4X30 | 4 |
| 052-1B | | 265654-2 | TAPPING SCREW 4X30 | 4 |
| 053 | | 961018-5 | STOP RING E-5 | 1 |
| 054 | | 417839-8 | SEAL PLATE | 1 |
| 055 | | 286032-3 | CAP 5 | 1 |
| 056 | | 233139-6 | COMPRESSION SPRING 3 | 1 |
| 057 | | 272280-0 | LEVER 17 | 1 |
| 058 | | 268063-4 | PIN 4 | 1 |
| 059 | | 158169-5 | GEAR HOUSING COMPLETE | 1 |
| 060 | | 252171-1 | SQUARE NUT M5-8 | 1 |
| 061 | | 421816-4 | DUST SEAL | 1 |
| 062 | | 153334-1 | RETAINER COMPLETE | 1 |
| 063 | | 188208-7 | MOTOR HOUSING SET | 1 |
| | D10 | | INC. 38 | |
| 064 | | 191971-3 | CARBON BRUSH CB-430 | 1 |
| 065 | | 643807-7 | BRUSH HOLDER CAP | 2 |
| 066 | | 232208-0 | LEAF SPRING | 1 |
| 067 | | 922226-3 | HEX. SOCKET HEAD BOLT M5X18 | 1 |
| 068 | | 345237-5 | CRANK PLATE | 1 |
| 069 | | 317565-8 | BASE | 1 |
| 070 | | 912107-9 | COUNTERSUNK HEAD SCREW M4X8 | 4 |
| 071 | | 345238-3 | BASE PLATE | 1 |
| A01 | | 415524-7 | ANTI-SPLINTERING DEVICE | 1 |
| A02 | | 417852-6 | COVER PLATE | 1 |
| A04 | | A-85737 | JIGSAW BLADE NO.B22 | 1 |
| A05 | | A-85628 | JIGSAW BLADE NO.B10 | 1 |
| A06 | | A-85793 | JIGSAW BLADE NO.BR13 | 1 |
| A07 | | 783202-0 | HEX. WRENCH 4 | 1 |
| A08B | | ***DC18RC | DC18RC FAST CHARGER | 1 |
| A08C | | ***DC18RC | DC18RC FAST CHARGER | 1 |
| A09-1B | | 194204-5 | BATTERY BL1830 SET | 2 |
| A09-1C | | 196399-0 | BATTERY BL1840 SET | 2 |
| A09-2B | | 197600-6 | BATTERY BL1830B SET | 2 |
| A09-2C | | 197265-4 | BATTERY BL1840B SET | 2 |
| A09-3B | | 197600-6 | BATTERY BL1830B SET | 2 |
| A09-3C | | 197265-4 | BATTERY BL1840B SET | 2 |
| A10B | | 141486-0 | PLASTIC CARRYING CASE COMPLETE | 1 |
| | C10 | 450909-0 | LATCH | |
| A10C | | 141486-0 | PLASTIC CARRYING CASE COMPLETE | 1 |
| | C10 | 450909-0 | LATCH | |
| A11A | | 803H19-4 | DJV180Z TOOL LABEL | 1 |

| Item | Sub | Parts No. | Parts Description | Qty |
|--------|-----|-----------|----------------------|-----|
| A11B | | 803H17-8 | DJV180RFE TOOL LABEL | 1 |
| A11C | | 804V09-4 | DJV180RME TOOL LABEL | 1 |
| A11-1A | | 816A37-1 | DJV180Z CARTON LABEL | 2 |
| A12B | | 450128-8 | BATTERY COVER | 1 |
| A12C | | 450128-8 | BATTERY COVER | 1 |
| A16 | | B-06292 | JIGSAW BLADE ASSORT | 2 |